

# ***INSTALLATION INSTRUCTIONS***

Rev. 3

**MODEL NO. 82541      78218**

***APPLICATION:***

2007-Current Saturn Outlook  
 2008-Current Buick Enclave  
 2007-Current GMC Acadia  
 2009-Current Chevrolet Traverse

***WARNING***

Although this hitch is designed to safely tow its rated load, we recommend that you consult your vehicle owner's manual for possible manufacturer's recommendations or limitations. Always follow the manufacturer's installation instructions and always install on the specified vehicle. Before installing hitch, check that the attachment points are in good condition.

Failure to follow these guidelines will void warranty. Any modifications to this hitch will void warranty.

***WEIGHT CARRYING HITCH CAPACITY***

**4,000 LBS. MAXIMUM TRAILER WEIGHT  
 400 LBS. MAXIMUM TONGUE WEIGHT**

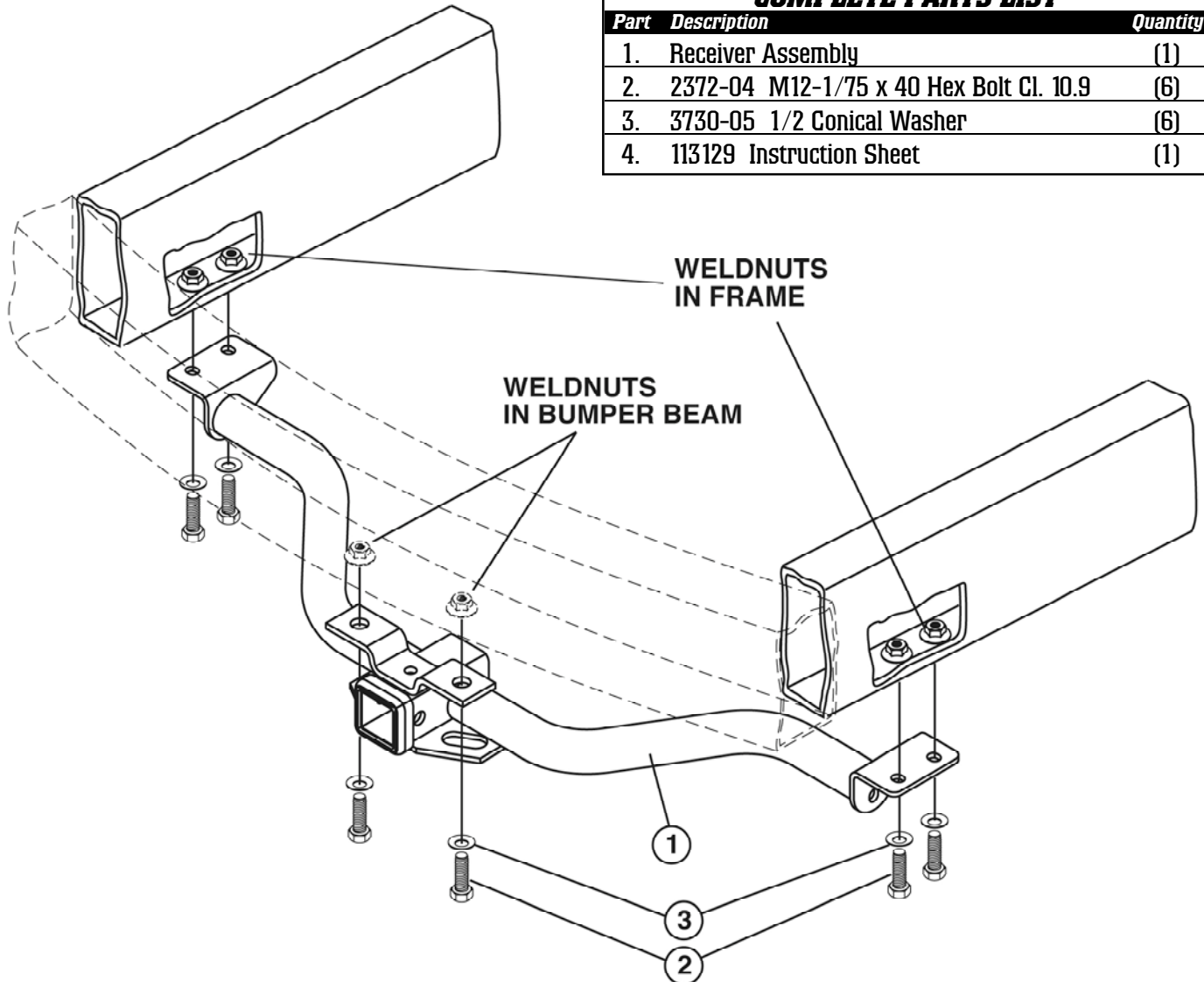
***WEIGHT DISTRIBUTING HITCH CAPACITY***

**5,000 LBS. MAXIMUM TRAILER WEIGHT  
 500 LBS. MAXIMUM TONGUE WEIGHT**

Trailer brakes are recommended for  
 towing loads in excess of 1500 lbs.

***COMPLETE PARTS LIST***

<b><i>Part</i></b>	<b><i>Description</i></b>	<b><i>Quantity</i></b>
1.	Receiver Assembly	(1)
2.	2372-04 M12-1/75 x 40 Hex Bolt Cl. 10.9	(6)
3.	3730-05 1/2 Conical Washer	(6)
4.	113129 Instruction Sheet	(1)

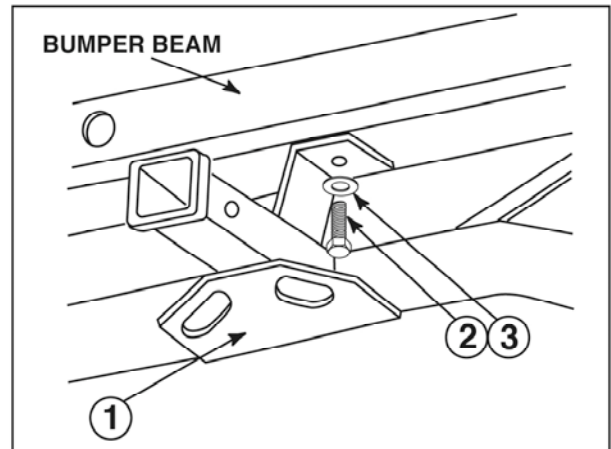
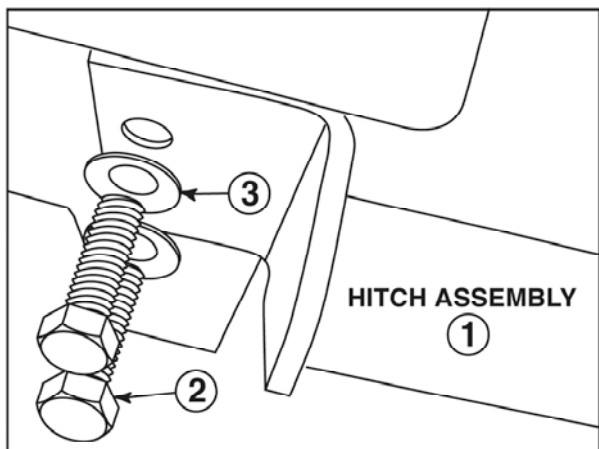
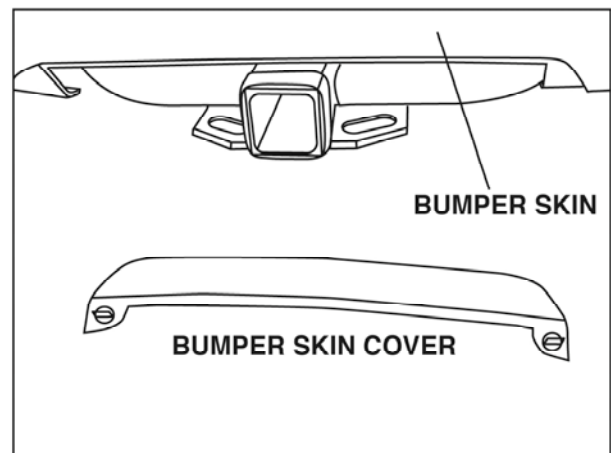
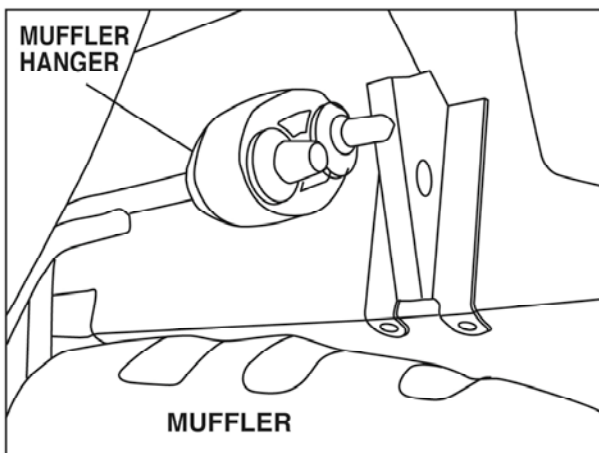


1. Detach rubber muffler hanger from muffler hook. This will allow the muffler to drop down and allow clearance for the hitch installation. The muffler will go back up in the original location after hitch is installed.
2. On bumper skin, remove cutout at yoke location to allow receiver assembly to fit snug under bumper.
3. Lower the muffler enough to allow hitch assembly to fit up to mounting points on vehicle frame.
4. Attach hitch assembly frame brackets to existing weldnuts in vehicle frame using M12-1/75 x 40 Hex Bolt Cl. 10.9 #2 and 1/2 Conical Washer #3 supplied in hardware kit. Attach hitch assembly yoke at center to existing weldnuts in vehicle frame using M12-1/75 x 40 Hex Bolt Cl. 10.9 #2 and 1/2 Conical Washer #3 supplied in hardware kit.
5. Tighten the Hex Bolts #2 to 92 ft. lbs. torque. Failure to tighten bolts as described may result in fastener loss or failure.
6. Re-install the muffler by hanging the muffler hook back onto the rubber hanger.

**WARNING:** Use only a 5/8" diameter hitch pin with locking device to secure a ball mount in this receiver.

**WARNING:** Be sure to check the hitch pin and hair pin for positive locking placement before towing trailer.

**NOTE:** Some states require a clear view of license plates. Remove trailer ball and/or ball mount when not in use if it restricts view.



For information regarding this product, or our warranty, contact your dealer or write to:  
 "CUSTOMER SERVICE MANAGER" P.O. Box 850, Lodi, CA 95241

This product complies with regulation V-5, C.S.A Standard D-264 and safety requirements for connecting devices  
 and towing systems of the State of New York