

# INSTALLATION INSTRUCTIONS

**MODEL NO. 82521**

Hardware Kit #113285

Rev. 1

**APPLICATION:** **1996-09 Chevrolet Express Van (All except 1996 1-ton)**  
**1996-09 GMC Savana Van (All except 1996 1-ton)**

**WARNING:** Although this hitch is designed to safely tow its rated load, we recommend that you consult your vehicle owner's manual for possible manufacturer's recommendations or limitations. Trailer brakes are recommended for towing loads in excess of 1500 lbs. Always follow the manufacturer's installation instructions and always install on the specified vehicle. Before installing hitch, check that the attachment points are in good condition.

Failure to follow these guidelines will void warranty. Any modifications to this hitch will void warranty.

**WARNING:** Use only a 5/8" diameter hitch pin with locking device to secure a ball mount in this receiver. Be sure to check the hitch pin and hair pin for positive locking placement before towing trailer.

**NOTE:** Some states require a clear view of license plates. Remove trailer ball and/or ball mount when not in use if it restricts view.

**COMPLETE PARTS LIST**

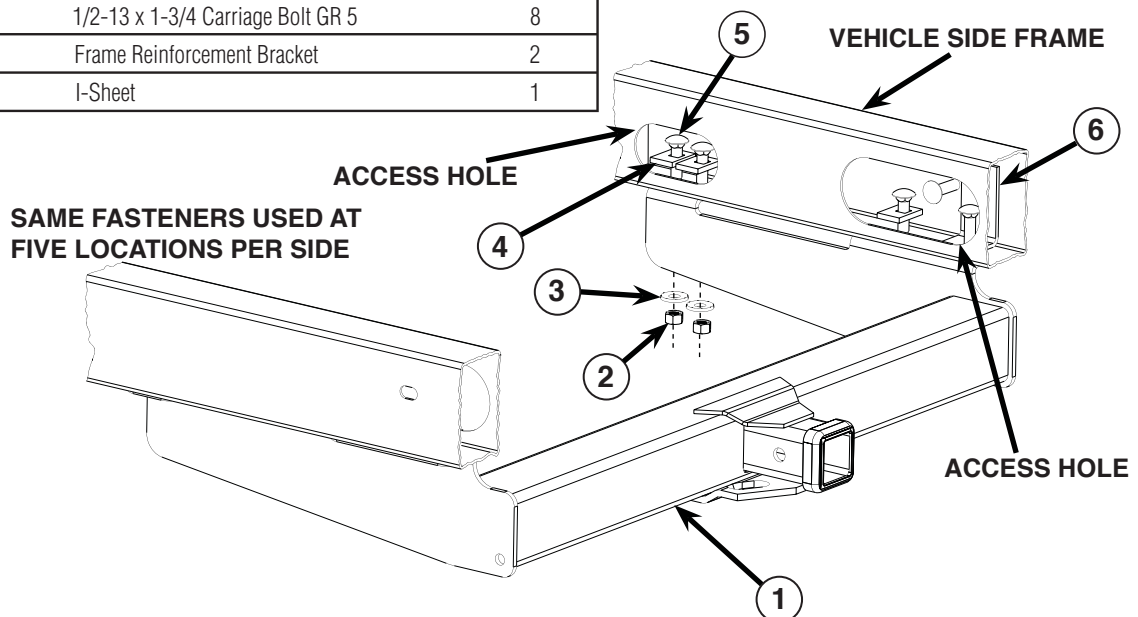
Item	Part #	Description	Quantity
1.	252111	Receiver Assembly	1
<b>HARDWARE KIT #113285</b>			
2.	186203	1/2-13 Hex Nut	8
3.	373005	1/2 Conical Washer	8
4.	434208	Square Hole Plate	6
5.	178603	1/2-13 x 1-3/4 Carriage Bolt GR 5	8
6.	113316	Frame Reinforcement Bracket	2
7.	113286	I-Sheet	1

**CLASS V****WEIGHT CARRYING HITCH CAPACITY**

10,000 LBS. MAXIMUM TRAILER WEIGHT  
 1,000 MAXIMUM TONGUE WEIGHT

**WEIGHT DISTRIBUTING HITCH CAPACITY**

12,000 LBS. MAXIMUM TRAILER WEIGHT  
 1,200 LBS. MAXIMUM TONGUE WEIGHT



1. Insert bolts, brackets and blocks through existing access slots and into attachment holes as shown above, each side.
2. Carefully position the hitch assembly up so that the holes in each frame bracket align with the previously installed bolts extending down through the frame.
3. Bolt receiver assembly securely in place with the 1/2" conical washers #3 and the 1/2" hex nuts #2 as illustrated.
4. Tighten all 1/2" bolts to 75 ft. lbs. torque. Failure to tighten bolts as described may result in fastener loss or failure.

For information regarding the installation of this product, go to: [www.towingsupport.com](http://www.towingsupport.com)  
 or Email us at: [tech@towingsupport.com](mailto:tech@towingsupport.com) or Call our Technical Support Team at: 1-800-344-3230

This product complies with regulation V-5, C.S.A Standard D-264 and safety requirements for connecting devices and towing systems of the State of New York