

# **INSTALLATION INSTRUCTIONS**

Rev. 2

**MODEL NO. 82111**

***APPLICATION:***

**2007-Current Acura MDX**

**WARNING**

Although this hitch is designed to safely tow its rated load, we recommend that you consult your vehicle owner's manual for possible manufacturer's recommendations or limitations. Always follow the manufacturer's installation instructions and always install on the specified vehicle. Before installing hitch, check that the attachment points are in good condition.

Failure to follow these guidelines will void warranty. Any modifications to this hitch will void warranty.

**WEIGHT CARRYING HITCH CAPACITY**

**4,000 LBS. MAXIMUM TRAILER WEIGHT  
400 LBS. MAXIMUM TONGUE WEIGHT**

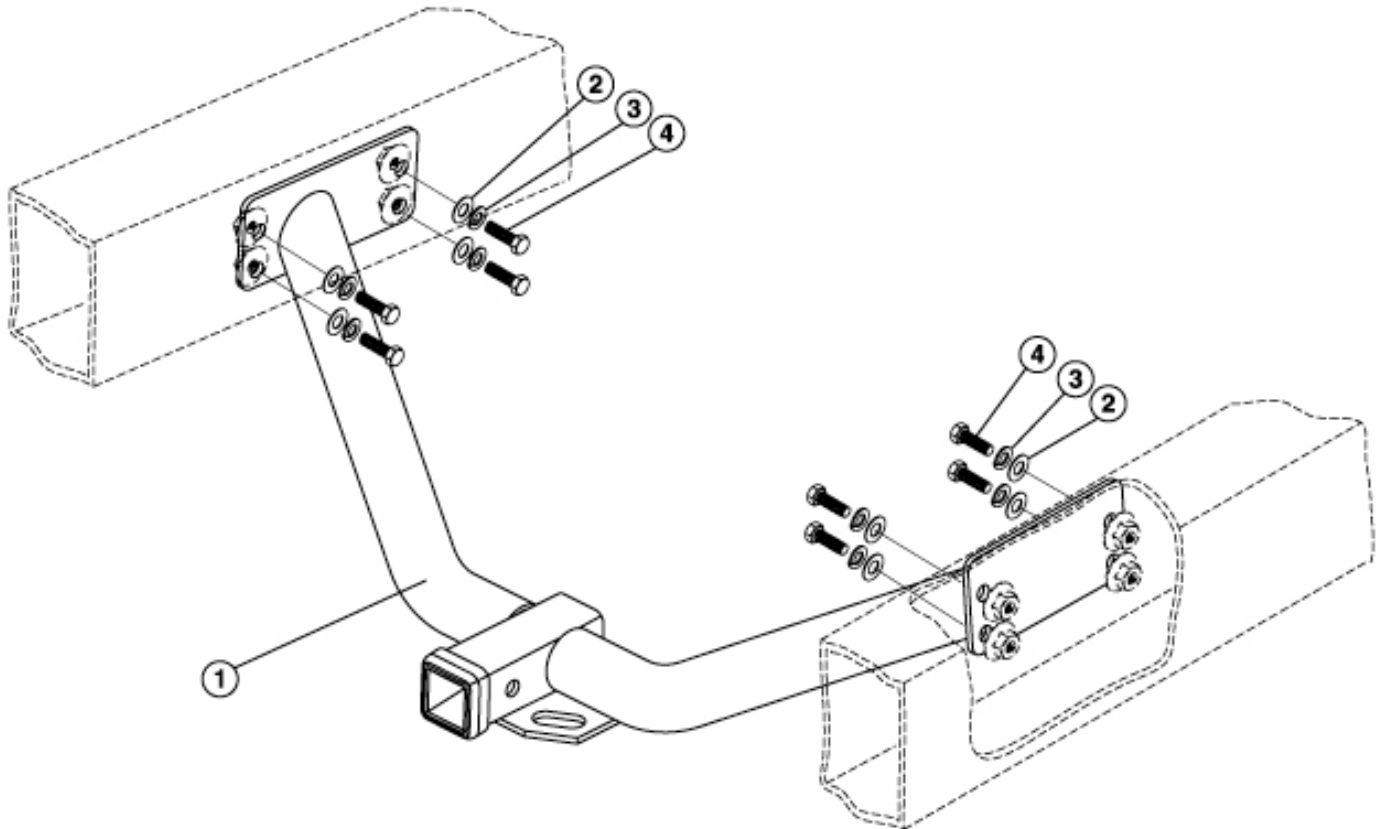
**WEIGHT DISTRIBUTING HITCH CAPACITY**

**5,000 LBS. MAXIMUM TRAILER WEIGHT  
500 LBS. MAXIMUM TONGUE WEIGHT**

Trailer brakes are recommended for towing loads in excess of 1500 lbs.

**COMPLETE PARTS LIST**

<b>Part</b>	<b>Description</b>	<b>Quantity</b>
1.	Receiver Assembly	(1)
2.	1082-04 9/16" Flatwasher	(8)
3.	3701-05 9/16" Lockwasher	(8)
4.	4103-03 14mm x 35 x 1.50 Hex Cap Screw	(8)

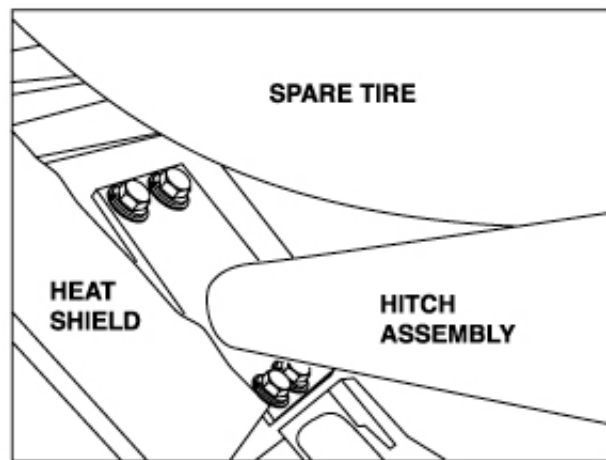
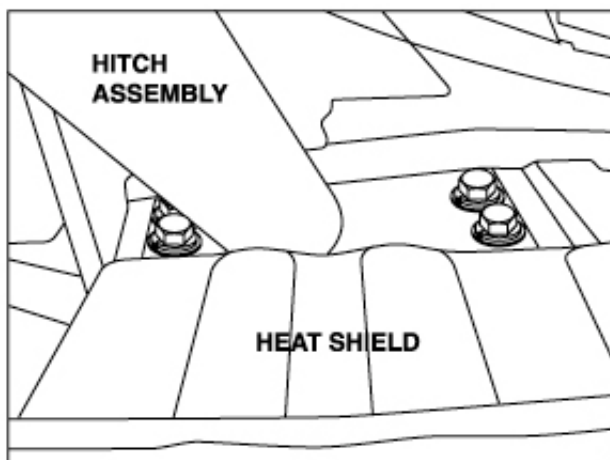
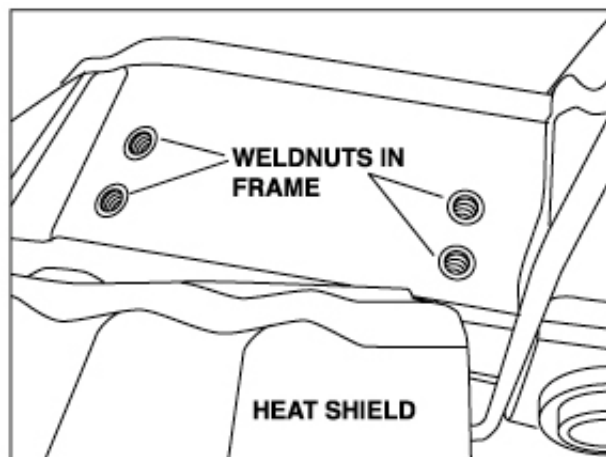
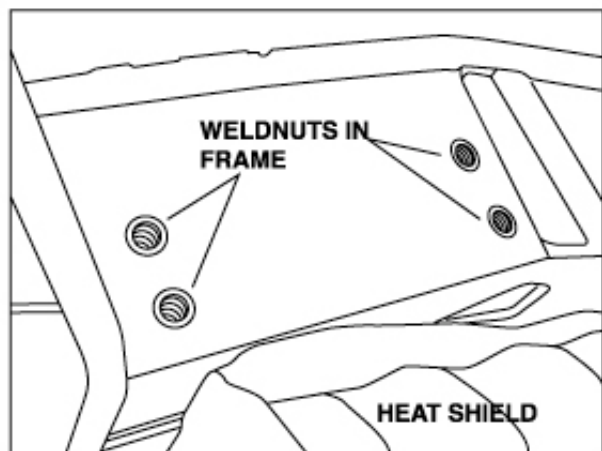


1. Begin installation by removing the muffler hanger to allow the exhaust to drop down. For easy access to the hitch fasteners, remove spare tire and the muffler heat shield. These will be put back into place after hitch is installed.
2. Position hitch assembly against frame and match mounting holes in hitch frame brackets with mounting holes in vehicle frame. The mounting holes in frame have weldnuts inside the frame.
3. With the hardware kit provided with hitch, mount hitch assembly using 14mm x 35 x 1.50 Hex Cap Screw #4, 9/16" Lockwasher #3 and 9/16" Flatwasher #2.
6. Tighten the 14mm bolts to 116 ft. lbs. torque. Failure to tighten bolts as described may result in fastener loss or failure.
7. Replace the heat shield and spare tire and then re-attach the muffler hangers to secure exhaust.

**WARNING:** Use only a 5/8" diameter hitch pin with locking device to secure a ball mount in this receiver.

**WARNING:** Be sure to check the hitch pin and hair pin for positive locking placement before towing trailer.

**NOTE:** Some states require a clear view of license plates. Remove trailer ball and/or ball mount when not in use if it restricts view.



For information regarding this product, or our warranty, contact your dealer or write to:  
"CUSTOMER SERVICE MANAGER" P.O. Box 850, Lodi, CA 95241

This product complies with regulation V-5, C.S.A Standard D-264 and safety requirements for connecting devices and towing systems of the State of New York