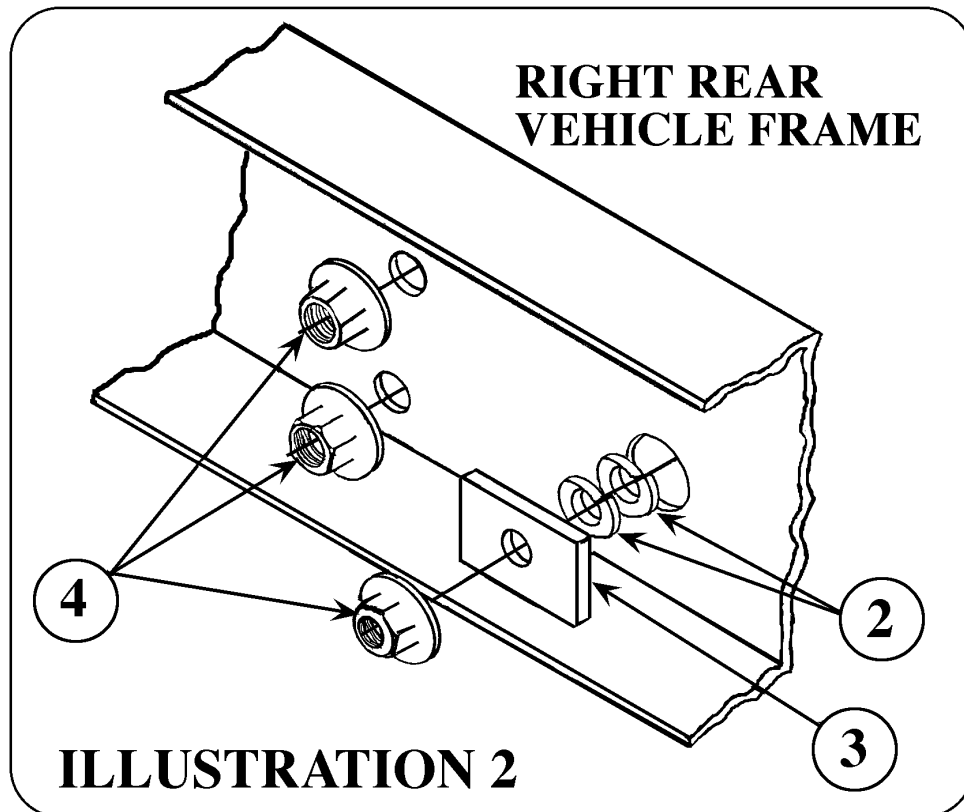


1. There are four bolts which attach the bumper brackets to the vehicle side frame. Locate the two bumper bracket attachment bolts on the forward ends of each bumper bracket. Remove these two bolts from each bumper bracket. The rear most bumper bracket bolts will hold the bumper in place.
2. Position the receiver assembly under vehicle so that the frame brackets at the end of the cross tube are resting against the outer surface of the vehicle bumper brackets in line with the three existing open holes.
3. Attach receiver assembly to vehicle frame at the forward two holes on each side. Do not tighten bolts at this time.
4. Insert the rearmost attachment bolt through the open hole in each hitch frame bracket. The bolt will exit through the large hole in the vehicle frame. Place two 1/2" lockwashers on the bolt and position it in the large hole. They will be acting as a bushing. Place a plate #3 on bolt and secure parts to the frame with a 1/2" serrated flange nut #4. See illustration 2.
5. Tighten all 1/2" bolts to 75 ft. lbs. torque. Failure to tighten bolts as described may result in fastener loss or failure.



For information regarding the installation of this product, go to: www.towingsupport.com
or Email us at: tech@towingsupport.com or Call our Technical Support Team at: 1-800-344-3230
This product complies with regulation V-5, C.S.A Standard D-264 and safety requirements for connecting devices
and towing systems of the State of New York