

# INSTALLATION INSTRUCTIONS

Rev. 1

**MODEL NO. 74130****78231****APPLICATION:** 1992-02 Isuzu Trooper  
1996-99 Acura SLX

**WARNING:** Although this hitch is designed to safely tow its rated load, we recommend that you consult your vehicle owner's manual for possible manufacturer's recommendations or limitations. Trailer brakes are recommended for towing loads in excess of 1500 lbs. Always follow the manufacturer's installation instructions and always install on the specified vehicle. Before installing hitch, check that the attachment points are in good condition.

Failure to follow these guidelines will void warranty. Any modifications to this hitch will void warranty.

**WARNING:** Use only a 5/8" diameter hitch pin with locking device to secure a ball mount in this receiver. Be sure to check the hitch pin and hair pin for positive locking placement before towing trailer.

**NOTE:** Some states require a clear view of license plates. Remove trailer ball and/or ball mount when not in use if it restricts view.

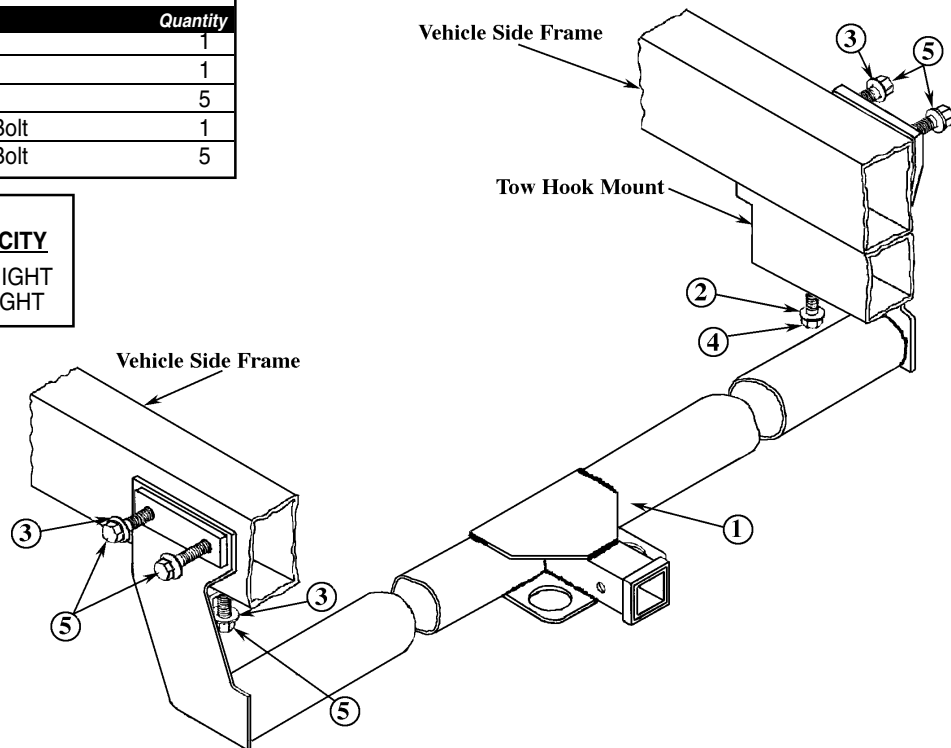
## COMPLETE PARTS LIST

Item	Part #	Description	Quantity
1.		Receiver Assembly	1
2.	2300-07	3/8" Conical Washer	1
3.	3730-05	1/2" Conical Washer	5
4.	1414-03	10mm x 30mm Hex Bolt	1
5.	3732-02	12mm x 40mm Hex Bolt	5

## CLASS III

### WEIGHT CARRYING HITCH CAPACITY

5,000 LBS. MAXIMUM TRAILER WEIGHT  
500 LBS. MAXIMUM TONGUE WEIGHT



1. Remove the two 10mm bolts which attach the tow hook to the bottom of the right vehicle frame. Discard the tow hook and the bolts.
2. Remove the one 12mm bolt which attaches the shipping tie down bracket to the bottom of the left vehicle frame. Discard the tie down bracket and bolt.
3. Remove the two 12mm bolts which attach the bumper brackets to the sides of each vehicle frame. Discard these bolts.
4. Position the hitch assembly up against the bottom and side of each vehicle frame in line with the existing holes in the frame where bolts were previously removed. Attach hitch to the bottom of the right frame with the 10mm bolts supplied with the hitch and to the bottom of the left frame with 12mm bolts included in kit. Be sure that the 3/8" conical washer is placed on the 10mm bolt before installing it. Do not tighten bolts at this time.
5. Reinstall the remaining 12mm bolts through the side of the hitch side plates and into the side of the vehicle frame.
6. Tighten the 10mm bolts to 40 ft. lbs. torque and the 12mm bolts to 75 ft. lbs. torque. Failure to tighten bolts as described may result in fastener loss or failure.

**WARNING:** This hitch is not to be used with any type of weight distributing hitch. Use only with a weight carrying ball mount.

For information regarding the installation of this product, go to: [www.towingsupport.com](http://www.towingsupport.com)  
or Email us at: [tech@towingsupport.com](mailto:tech@towingsupport.com) or Call our Technical Support Team at: 1-800-344-3230

This product complies with regulation V-5, C.S.A Standard D-264 and safety requirements for connecting devices and towing systems of the State of New York

**74130**