

# **INSTALLATION INSTRUCTIONS**

**MODEL NO. 66880**

**APPLICATION:** 2005-06 Chrysler Town & Country Van (w/Stow & Go Seating)  
 2005-07 Dodge Caravan and Grand Caravan (w/Stow & Go seating)

**WARNING**

Although this hitch is designed to safely tow its rated load, we recommend that you consult your vehicle owner's manual for possible manufacturer's recommendations or limitations. Always follow the manufacturer's installation instructions and always install on the specified vehicle. Before installing hitch, check that the attachment points are in good condition.

Failure to follow these guidelines will void warranty. Any modifications to this hitch will void warranty.

**CLASS II**

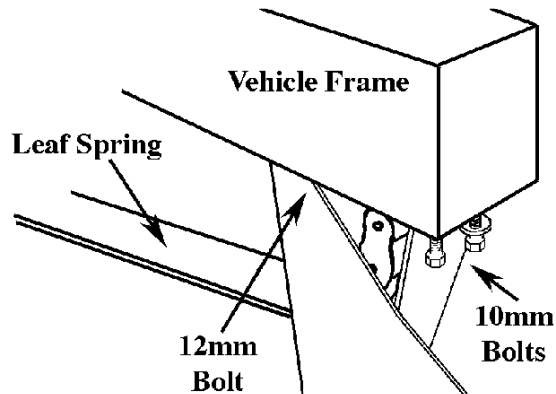
**WEIGHT CARRYING HITCH CAPACITY**

**3500 LBS. MAXIMUM TRAILER WEIGHT  
 350 LBS. MAXIMUM TONGUE WEIGHT**

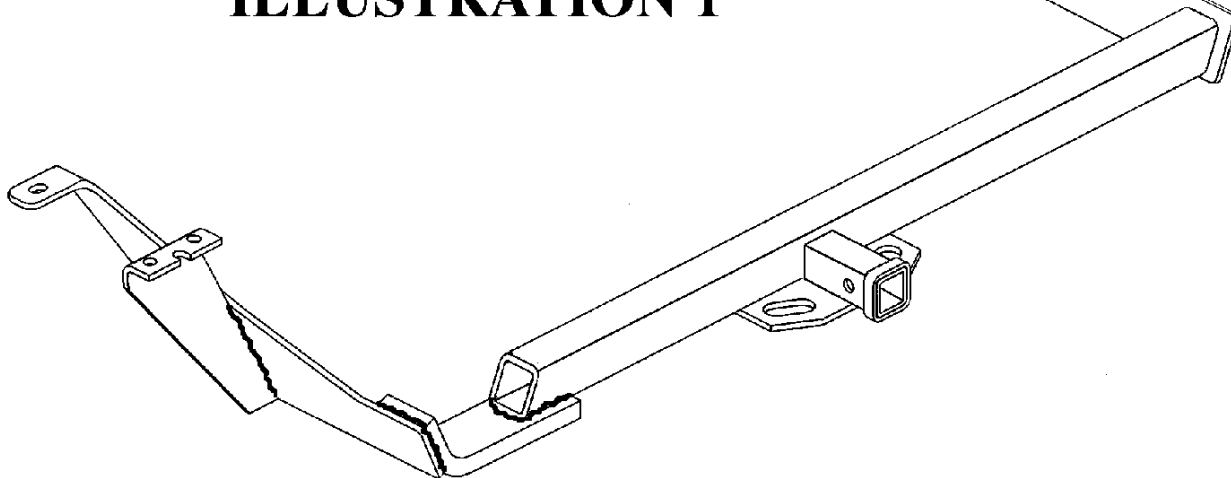
Trailer brakes are recommended for towing loads in excess of 1500 lbs.

**COMPLETE PARTS LIST**

<b>Part</b>	<b>Description</b>	<b>Quantity</b>
1.	Receiver Assembly	(1)
2.	1083-04 Hitch Pin	(1)
3.	1335-03 Hair Pin	(1)
4.	1915-01 Ball Mount	(1)
5.	4751-04 Receiver Cover	(1)



**ILLUSTRATION 1**



**ILLUSTRATION 2**

1 Existing  
12mm Bolt

3 Existing  
10mm Bolts

**NOTE:** Installation of this hitch will require two people.

1. Remove the three 10mm bolts which attach the rear of the spring shackle to the frame. Save bolts for later hitch installation. Remove the single 12mm bolt from vehicle frame just forward of the spring shackle. Save these bolts for hitch installation. See Illustration 2.
2. Position the left forward mounting tab of hitch frame bracket forward, near the rear axle and up over the left leaf spring. Pull the left side of hitch towards rear of the vehicle. Repeat procedure on right side of the vehicle.
3. Raise one end of the hitch assembly up to the bottom of vehicle frame and then raise the other end, guiding it up past the spring shackle. Bolt in place using previously removed 12mm bolts. See Illustrations 1 and 2.
4. Install the previously removed 10mm bolts in the remaining three holes at rear of hitch frame brackets. Take care not to cross thread the bolts when inserting them in frame weldnuts.
5. Tighten the 10mm bolts to 42 ft. lbs. torque and the 12mm bolts to 75 ft. lbs. torque. Failure to tighten bolts as described may result in fastener loss or failure.

**WARNING:** Use only the ball mount supplied with this hitch. Use this hitch only as a weight carrying hitch.

**DO NOT** use with any type of weight distributing hitch.

**WARNING:** If this hitch is used with any auxiliary load carrying product, such as bicycle or cargo carriers, the loaded weight must not exceed 200 lbs. including the weight of the carrier. The loaded carrier weight with the extended leverage may damage hitch and/or attachment points on vehicle.

**WARNING:** Be sure to check the hitch pin and hair pin for positive locking placement before towing trailer.

**NOTE:** When hitch is not being used, remove the ball mount from receiver and place receiver cover into receiver opening.

**NOTE:** Some states require a clear view of license plates. Remove trailer ball and/or ball mount when not in use if it restricts view.

For information regarding the installation of this product, go to: [www.towingsupport.com](http://www.towingsupport.com)  
or Email us at: [tech@towingsupport.com](mailto:tech@towingsupport.com) or Call our Technical Support Team at: 1-800-344-3230

This product complies with regulation V-5, C.S.A Standard D-264 and safety requirements for connecting devices  
and towing systems of the State of New York

**66880**