

INSTALLATION INSTRUCTIONS

MODEL NO. 65490

APPLICATION:

**2002-04 Buick Rendezvous (2 wheel drive and All wheel drive)
2001-06 Pontiac Aztek (2 wheel drive and All wheel drive)**

WARNING

Although this hitch is designed to safely tow its rated load, we recommend that you consult your vehicle owner's manual for possible manufacturer's recommendations or limitations. Always follow the manufacturer's installation instructions and always install on the specified vehicle. Before installing hitch, check that the attachment points are in good condition.

Failure to follow these guidelines will void warranty. Any modifications to this hitch will void warranty.

WEIGHT CARRYING HITCH CAPACITY

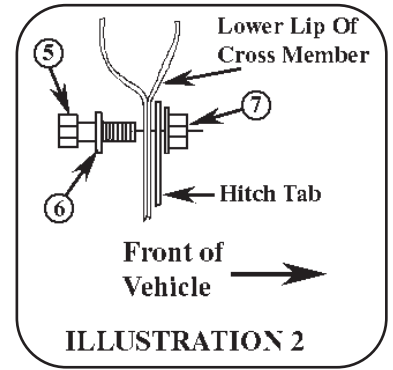
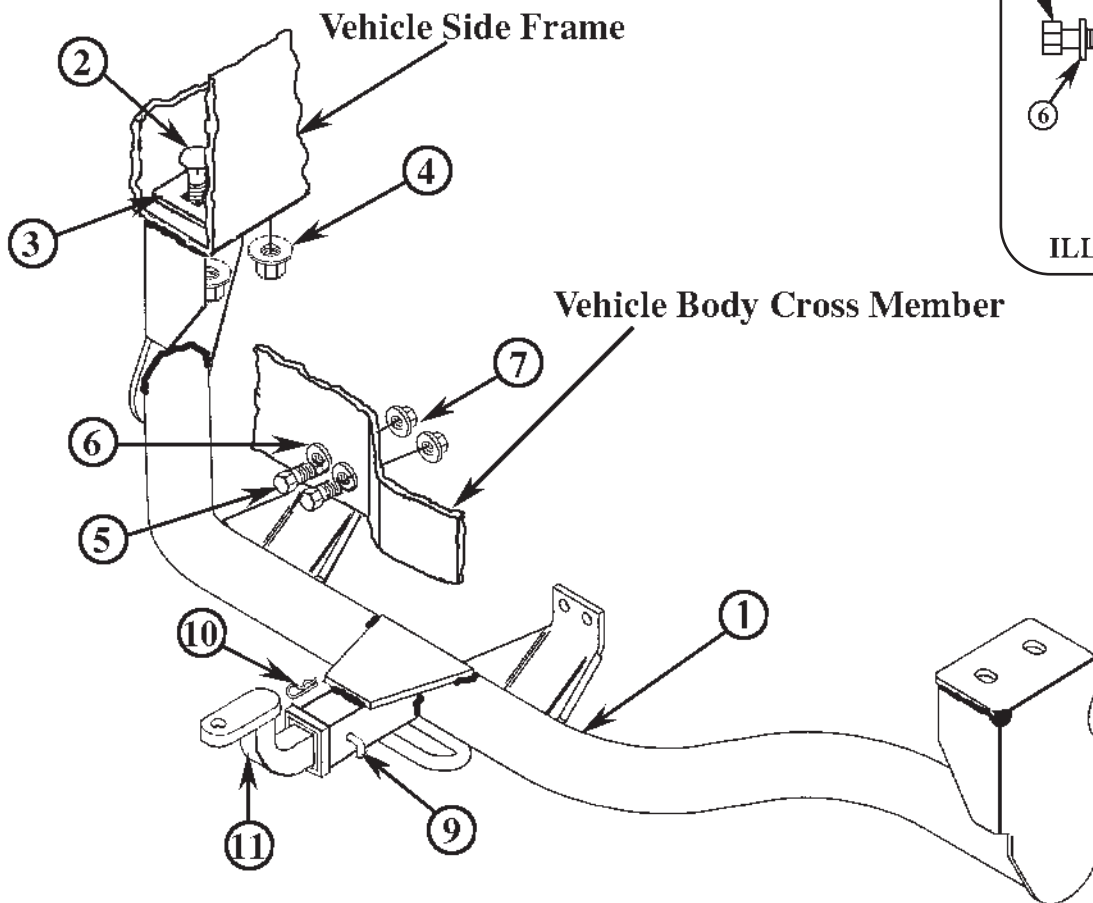
**3500 LBS. MAXIMUM TRAILER WEIGHT
350 LBS. MAXIMUM TONGUE WEIGHT**

Trailer brakes are recommended for towing loads in excess of 1500 lbs.

COMPLETE PARTS LIST

Part	Description	Quantity
1.	Hitch Assembly	(1)
2.	1579-01 1/2-13 x 1-1/2 Carriage. Bolt	(4)
3.	4349-09 Square Hole Plate	(4)
4.	1828-03 1/2-13 Hex Flange Locknut	(4)
5.	2048-01 3/8-16 x 1 Hex Bolt GR5	(4)
6.	1848-03 3/8 Flatwasher	(4)

Part	Description	Quantity
7.	1950-02 3/8-16 Flange Locknut	(4)
8.	4892-07 1/2 Pull Wire	(1)
9.	1083-04 1/2 Hitch Pin	(1)
10.	1335-03 Hair Pin	(1)
11.	1090-08 Ball Mount	(1)
12.	4751-06 Receiver Cover	(1)



Before beginning hitch installation, lower and remove the spare tire from its under body storage location. This will allow clearance for easier hitch installation. Tire will be put back in place after hitch is installed.

1. Place a 1/2" carriage bolt #2 into a square hole plate #3 and insert into rear section of each vehicle frame so that bolts will be hanging down through the large holes in bottom of each frame. It may be easier to position bolts if pull wire is used. Position the plates so that they rest across the inside of the frame.
2. Carefully position hitch assembly up against bottom of vehicle frame so that holes in each frame bracket match up with previously installed bolts hanging down from frame. Loosely bolt frame brackets to vehicle frame.
3. The vertical tabs near the center of the hitch will rest against the forward side of the lower body cross member lip.
4. Check clearance between hitch cross tube and tailpipe. If tailpipe makes contact with hitch cross tube, move hitch towards driver side of vehicle. Hold in place and tighten attachment bolts.
5. Using the holes in each of the hitch assembly tabs as guides, drill four attachment holes in the lower lip of the body cross member.
6. Bolt tabs to the lower lip of the vehicle cross member as illustrated. Be sure to place the bolt #5 and washer #6 against the vehicle body section and the flange lock nut #4 against the hitch tab. See Illustration 2.
7. Tighten all bolts to 75 ft. lbs. torque and all 3/8" bolts to 30 ft. lbs. torque. Failure to tighten bolts as described may result in fastener loss or failure.
8. Reinstall spare tire in its storage location.

WARNING: Use only the ball mount supplied with this hitch. Use this hitch only as a weight carrying hitch.

DO NOT use with any type of weight distributing hitch.

WARNING: If this hitch is used with any auxiliary load carrying product, such as bicycle or cargo carriers, the loaded weight must not exceed 200 lbs. including the weight of the carrier. The loaded carrier weight with the extended leverage may damage hitch and/or attachment points on vehicle.

WARNING: Be sure to check the hitch pin and hair pin for positive locking placement before towing trailer.

NOTE: When hitch is not being used, remove the ball mount from receiver and place receiver cover into receiver opening.

NOTE: Some states require a clear view of license plates. Remove trailer ball and/or ball mount when not in use if it restricts view.

For information regarding this product, or our warranty, contact your dealer or write to:
"CUSTOMER SERVICE MANAGER" P.O. Box 850, Lodi, CA 95241

This product complies with regulation V-5, C.S.A Standard D-264 and safety requirements for connecting devices
and towing systems of the State of New York

65490