

# ***INSTALLATION INSTRUCTIONS***

**MODEL NO. 65350**

**APPLICATION:** 1989-05 Chevrolet Astro Van (extended only)  
1989-05 GMC Safari Van (extended only)

***WARNING***

Although this hitch is designed to safely tow its rated load, we recommend that you consult your vehicle owner's manual for possible manufacturer's recommendations or limitations. Always follow the manufacturer's installation instructions and always install on the specified vehicle. Before installing hitch, check that the attachment points are in good condition.

Failure to follow these guidelines will void warranty. Any modifications to this hitch will void warranty.

***WEIGHT CARRYING HITCH CAPACITY***

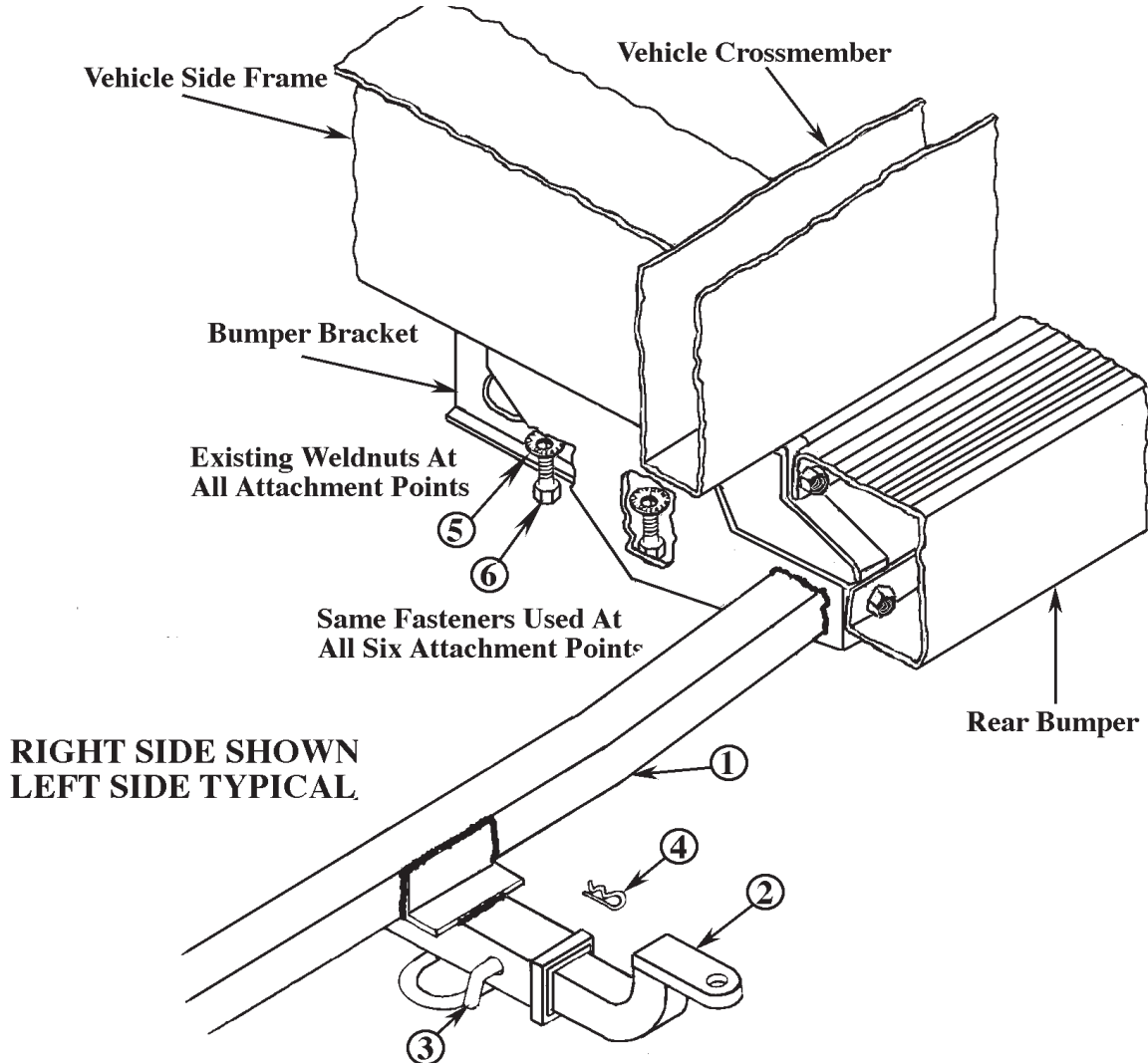
**3500 LBS. MAXIMUM TRAILER WEIGHT**  
**350 LBS. MAXIMUM TONGUE WEIGHT**

Trailer brakes are recommended for towing loads in excess of 1500 lbs.

***COMPLETE PARTS LIST***

Part	Description	Quantity
1.	Hitch Assembly	(1)
2.	1915-01 Ball Mount	(1)
3.	1083-04 Hitch Pin	(1)
4.	1335-03 Hair Pin	(1)

Part	Description	Quantity
5.	2213-05 Belleville Washer	(6)
6.	1961-03 10mm x 35mm Hex Bolt	(6)
7.	4751-04 Receiver Cover	(1)



1. Temporarily remove the spare tire from under the vehicle. It will be put back in place after the hitch is installed.
2. The bumper is attached to the vehicle by two main bumper brackets and two secondary bumper brackets. One of the main bumper brackets must be removed completely to install the hitch. These brackets are attached to the bumper and vehicle frame with five 10mm bolts. Remove all five bolts so that the bumper bracket can be removed. The outer secondary bracket will support the bumper. Save two of the 10mm bolts for later re-use.
3. Go over to the remaining main bumper bracket and remove three of the five 10mm bolts as shown. Remove the bolts indicated by the arrows.
4. Position the end of the hitch assembly #1 up inside the bumper bracket left on the vehicle. Bolt hitch and bumper bracket loosely in place with the longer 10mm bolts supplied with the hitch.
5. Position the previously removed bumper bracket over the other end of the hitch assembly and bolt both the bracket and the hitch to vehicle at three locations using the longer 10mm bolts supplied with the hitch. Use the two previously removed 10mm bolts to secure the bumper bracket at the remaining two attachment points.
6. Tighten all 10mm bolts to 42 ft. lbs. torque. Failure to tighten bolts as described may result in fastener loss or failure.
7. Slide the ball mount #2 into hitch assembly receiver and secure with the hitch pin #3 and hair pin #4.

**WARNING:** Use only the ball mount supplied with this hitch. Use this hitch only as a weight carrying hitch.

**DO NOT** use with any type of weight distributing hitch.

**WARNING:** If this hitch is used with any auxiliary load carrying product, such as bicycle or cargo carriers, the loaded weight must not exceed 200 lbs. including the weight of the carrier. The loaded carrier weight with the extended leverage may damage hitch and/or attachment points on vehicle.

**WARNING:** Be sure to check the hitch pin and hair pin for positive locking placement before towing trailer.

**NOTE:** When hitch is not being used, remove the ball mount from receiver and place receiver cover into receiver opening.

**NOTE:** Some states require a clear view of license plates. Remove trailer ball and/or ball mount when not in use if it restricts view.

For information regarding this product, or our warranty, contact your dealer or write to:  
"CUSTOMER SERVICE MANAGER" P.O. Box 850, Lodi, CA 95241

This product complies with regulation V-5, C.S.A Standard D-264 and safety requirements for connecting devices  
and towing systems of the State of New York

**65350**