

INSTALLATION INSTRUCTIONS

MODEL NO. 65320

APPLICATION: 1996-99 Oldsmobile 88 Psgr.
 1997-99 Buick LeSabre Psgr.
 1996-99 Pontiac Bonneville Psgr. (except SSE & SSEi)

WARNING

Although this hitch is designed to safely tow its rated load, we recommend that you consult your vehicle owner's manual for possible manufacturer's recommendations or limitations. Always follow the manufacturer's installation instructions and always install on the specified vehicle. Before installing hitch, check that the attachment points are in good condition.

Failure to follow these guidelines will void warranty. Any modifications to this hitch will void warranty.

WEIGHT CARRYING HITCH CAPACITY

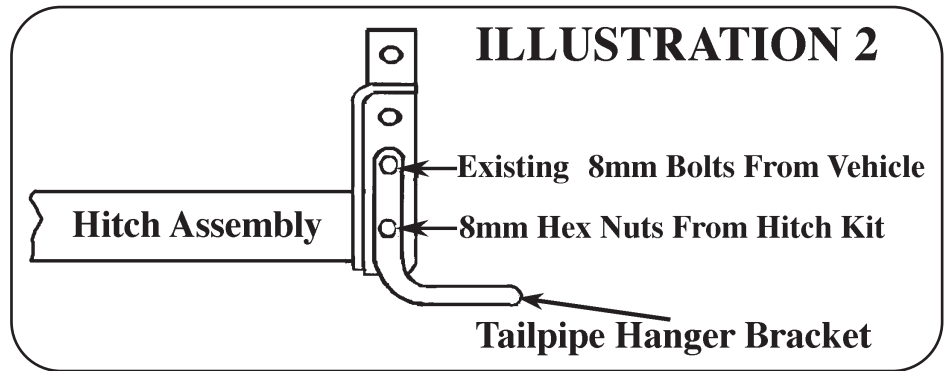
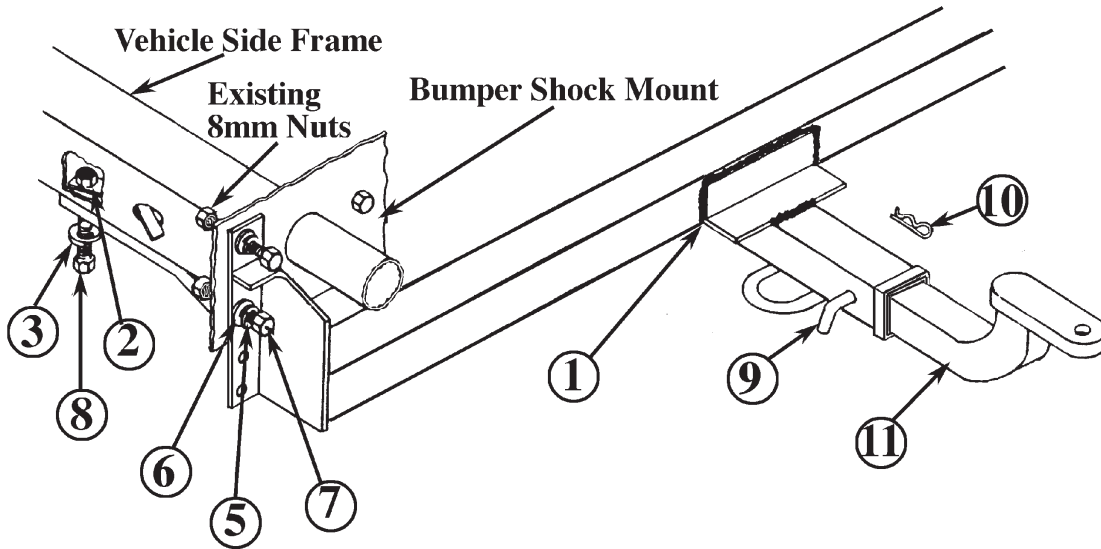
**3500 LBS. MAXIMUM TRAILER WEIGHT
 350 LBS. MAXIMUM TONGUE WEIGHT**

Trailer brakes are recommended for towing loads in excess of 1500 lbs.

COMPLETE PARTS LIST

Part	Description	Quantity
1.	Hitch Assembly	(1)
2.	4442-03 1/2 Tab Nut	(2)
3.	1880-03 1/2 Lockwasher	(2)
4.	2436-03 8mm Hex Nut	(2)
5.	1878-03 5/16 Lockwasher	(4)
6.	3918-03 5/16 Flatwasher	(4)

Part	Description	Quantity
7.	1905-03 8mm x 45mm Hex Bolt	(4)
8.	1836-03 1/2 x 1-1/2 Hex Bolt	(2)
9.	1083-04 Hitch Pin	(1)
10.	1335-03 Hair Pin	(1)
11.	1090-08 Ball Mount	(1)
12.	4751-04 Receiver Cover	(1)



1. Remove the two outer 8mm bolts from each bumper shock mount located at the end of each vehicle side frame. Save the 8mm nuts and the 8mm bolts for reuse. On the passenger side there will be a tailpipe hanger bracket attached with these bolts. It will be reinstalled on the hitch frame bracket.
2. Position the hitch assembly #1 up against ends of vehicle frame so that the upper holes in the hitch frame brackets align with the holes in shock mount bracket where the 8mm bolts were previously removed. Bolt securely in place as illustrated using the longer 8mm bolts #7 and 8mm hex nuts from original installation.
3. Position the frame bracket arms up against the bottom of each vehicle side frame and mark frame at hole in each arm. Drill a 1/2" attachment hole into bottom of vehicle frame at this location.
4. Insert a 1/2" tab nut #2 into each vehicle frame through an access hole near the previously drilled hole. If no access hole exists, drill an access hole in frame near hitch attachment point. Bolt frame bracket arms in place by threading the 1/2" bolts up through hitch and frame and into the tab nuts. Tighten securely.
5. Position the tailpipe hanger bracket up against the hitch frame bracket plate at end of the passenger side frame. Align the bracket with the lower two holes in hitch plate. Bolt in place using the existing bolts removed in Step 1 and 8mm nuts supplied with the hitch.
6. Tighten the 8mm bolts to 25 ft. lbs. torque and the 1/2" bolts to 75 ft. lbs. torque. Failure to tighten bolts as described may result in fastener loss or failure.
7. Slide ball mount #12 into hitch receiver and secure with hitch pin #10 and hair pin #11.

WARNING: Use only the ball mount supplied with this hitch. Use this hitch only as a weight carrying hitch.

DO NOT use with any type of weight distributing hitch.

WARNING: If this hitch is used with any auxiliary load carrying product, such as bicycle or cargo carriers, the loaded weight must not exceed 200 lbs. including the weight of the carrier. The loaded carrier weight with the extended leverage may damage hitch and/or attachment points on vehicle.

WARNING: Be sure to check the hitch pin and hair pin for positive locking placement before towing trailer.

NOTE: When hitch is not being used, remove the ball mount from receiver and place receiver cover into receiver opening.

NOTE: Some states require a clear view of license plates. Remove trailer ball and/or ball mount when not in use if it restricts view.

For information regarding this product, or our warranty, contact your dealer or write to:
"CUSTOMER SERVICE MANAGER" P.O. Box 850, Lodi, CA 95241

This product complies with regulation V-5, C.S.A Standard D-264 and safety requirements for connecting devices
and towing systems of the State of New York

65320