

# INSTALLATION INSTRUCTIONS

MODEL NO.

59070

APPLICATION:

1991-94 Chevrolet Cavalier Psgr. (except Z-24)

**WARNING:** Although this hitch is designed to safely tow its rated load, we recommend that you consult your vehicle owners manual for possible manufactures recommendations or limitations. Always follow the manufactures installation instructions and always install on the specified vehicle. Before installing hitch, check that the attachment points are in good condition. Failure to follow these guide lines will void warranty. Any modifications to this hitch will void warranty.

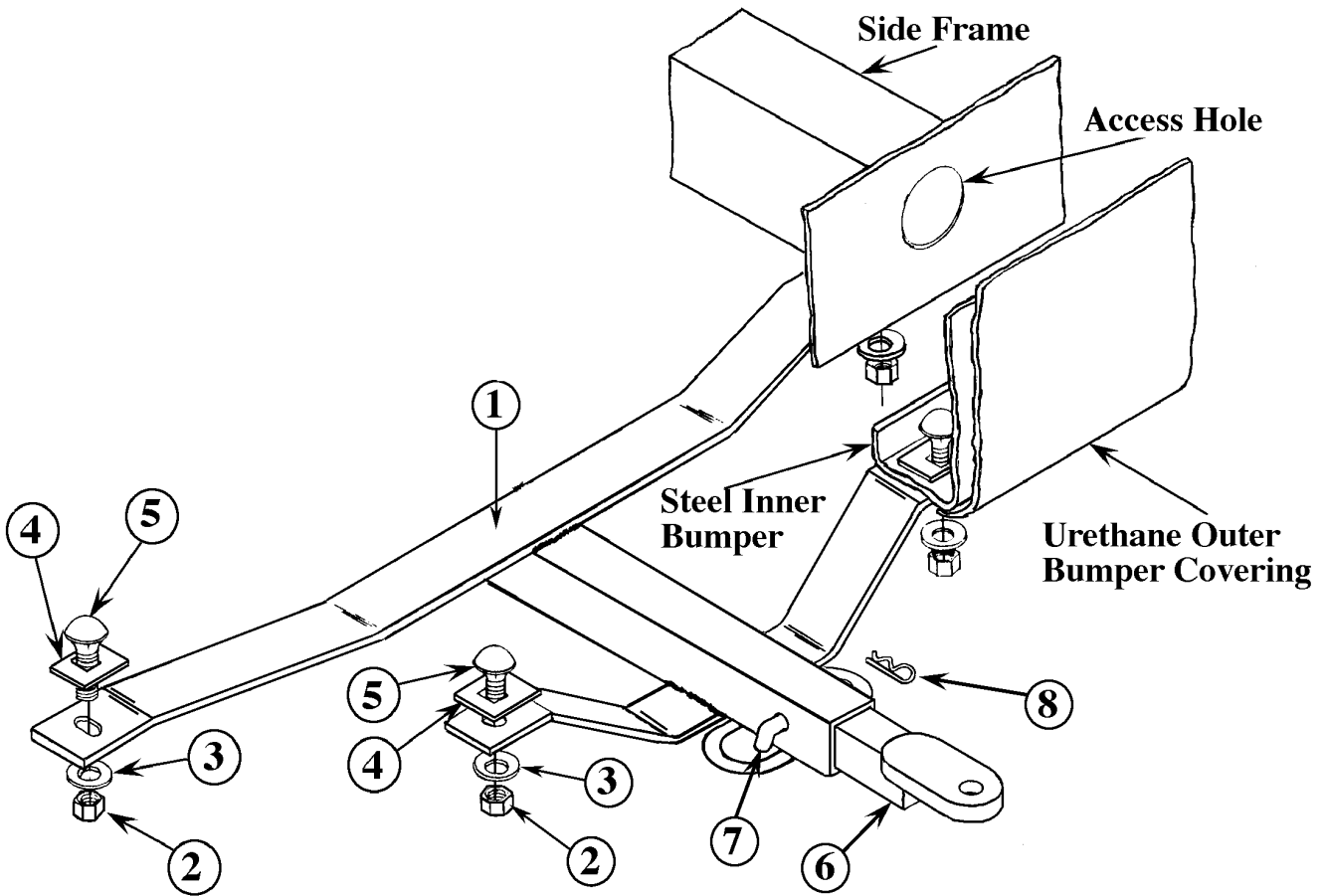
### HITCH CAPACITY

2000 LBS. MAXIMUM TRAILER WEIGHT  
200 LBS. MAXIMUM TONGUE WEIGHT

Trailer brakes are recommended for towing loads in excess of 1500 lbs.

### PARTS INCLUDE:

- |  |     |                           |     |
|--|-----|---------------------------|-----|
| 1. Hitch Assembly                        | (1) | 6. 2688-01 Ball Mount     | (1) |
| 2. 1862-03 1/2-13 Hex Nut                | (4) | 7. 1083-04 Hitch Pin      | (1) |
| 3. 3730-05 1/2 Conical Washer            | (4) | 8. 1335-03 Hair Pin       | (1) |
| 4. 4349-09 Square Hole Plate             | (4) | 9. 4751-04 Receiver Cover | (1) |
| 5. 2866-02 1/2-13 x 2 Carriage Bolt GR 5 | (4) | 10. 4892-07 Pull Wire     | (1) |



1. Using the pull wire, insert a square hole plate #4 and carriage bolt #5 into the large access hole located at the end of each vehicle frame. Position the bolts so that they drop down through the existing holes near the ends of each frame. See "Pull Wire Detail Illustration" below.

2. Carefully position the hitch assembly #1 up against the bottom of the vehicle frame and lower edge of the steel bumper. Be sure that the small yoke does not rest on the urethane outer bumper covering. It must rest only on the steel bumper. Allow the previously installed carriage bolts to drop down through the holes in the hitch cross bar. Bolt hitch securely in place at this location.

3. Using the two holes in the small yoke as guides, drill two 1/2" holes in the bottom surface of the steel bumper.

4. Place the remaining square hole plates #4 inside the bumper channel over the drilled holes. Drop a carriage bolt down through plates, bumper and holes in small yoke. Bolt hitch in place at this location.

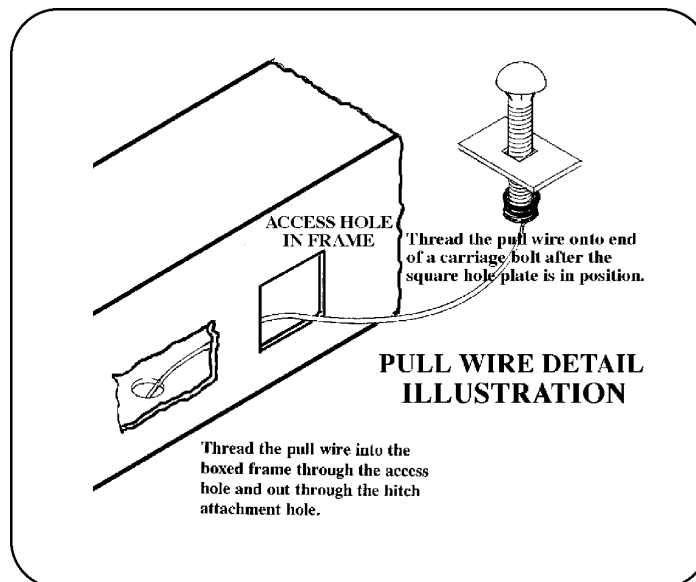
5. Tighten all 1/2 bolts to 75 ft. lbs. torque. Failure to tighten bolts as described may result in fastener loss or failure.

**WARNING:** Use only the ball mount supplied with this hitch. Use this hitch only as a weight carrying hitch. Do not use with any type of weight distributing hitch.

**WARNING:** If this hitch is used with any auxiliary load carrying product, such as bicycle or cargo carriers, the loaded weight must not exceed 100 lbs. including the weight of the carrier. The loaded carrier weight with the extended leverage may damage hitch and/or attachment points on vehicle.

**WARNING:** Be sure to check hitch pin and hair pin for positive locking placement before towing trailer.

**NOTE;** When hitch is not being used, remove the ball mount from receiver and place the receiver cover into the receiver opening.



For information regarding this product, or our warranty, contact your dealer or write to "CUSTOMER SERVICE MANAGER" P.O. Box 850, Lodi, CA 95241

NOTE: Some states require a clear view of license plate. Remove ball when not in use if it restricts view.

NOTE: This product complies with regulation V-5, C.S.A. Standard D-264 and safety requirements for connecting devices and towing systems of the State of New York.

59070