

INSTALLATION INSTRUCTIONS

MODEL NO. 58700

Rev. 1

APPLICATION:

AUDI

1975-79 Fox S/W
 1981-83 4000 4dr.Psgr
 1978-83 5000 4dr. Psgr

BMW

1977-79 320i 2dr
 1979-80 528i 4dr

CHEVROLET

1988-97 Corsica
 1988-97 Beretta

DATSUN

1977-83 200SX
 1974-78 B210 4dr Psgr
 1977-78 280Z
 1979-83 280ZX
 1980-82 310 Psgr
 1980-81 510 Psgr & S/W
 1982-83 Sentra Psgr

DODGE

1977-84 Colt Psgr
 1977-89 Omni 4dr.

CADILLAC

1989-93 Sedan DeVille
 1989-92 Fleetwood 4dr FWD

FIAT

1979-82 X19 (w/1pc Bumper)
 1975-79 128 Psgr.

1975-76 128 S/W
 1975-77 131 2 dr Psgr

1975-78 131 4dr Psgr
 1977-81 131S S/W
 1978-80 Brava Psgr & S/W
 1979-81 Strada

FORD

1981-88 Escort Psgr & S/W
 (exc w/plastic bumper)

1978-80 Fiesta
 1983-87 Tempo

HONDA

1980-81 Civic Psgr. & S/W
 1981-82 Prelude

ISUZU

1982-84 I Mark Coupe

MAZDA

1979-80 626 Psgr

MERCEDES

1977-82 240D, 280E, CE, SE,
 300D, CD, TD, TE,
 450SEL

MERCURY

1981-88 Lynx Psgr. (exc. w/ plastic bumper)
 1981-85 Lynx S/W (exc. w/plastic bumper)
 1983-87 Topaz Psgr.

OPEL

1974-75 Manta Psgr
 1974-75 1900 Psgr

PLYMOUTH

1976-80 Arrow Psgr
 1980-84 Champ 2dr FWD Psgr
 1977-89 Horizon 4dr Psgr.

SUBARU

1980-86 DL, GL, Hatchback Psgr
 1980-84 DL 2 Wheel Drive S/W

TOYOTA

1974-79 Corolla Psgr
 1976-79 Corolla Liftback Psgr.

VOLKSWAGEN

1974-77 Dasher Psgr. & S/W
 1980-89 Jetta Psgr.

1975-84 Rabbit

1985-89 Cabriolet

1975-81 Scirocco

VOLVO

1974-82 All Models Psgr. & S/W

WARNING: Although this hitch is designed to safely tow its rated load, we recommend that you consult your vehicle owner's manual for possible manufacturer's recommendations or limitations. Trailer brakes are recommended for towing loads in excess of 1500 lbs. Always follow the manufacturer's installation instructions and always install on the specified vehicle. Before installing hitch, check that the attachment points are in good condition.

Failure to follow these guidelines will void warranty. Any modifications to this hitch will void warranty.

WARNING: Use only a 5/8" diameter hitch pin with locking device to secure a ball mount in this receiver. Be sure to check the hitch pin and hair pin for positive locking placement before towing trailer.

NOTE: Some states require a clear view of license plates. Remove trailer ball and/or ball mount when not in use if it restricts view.

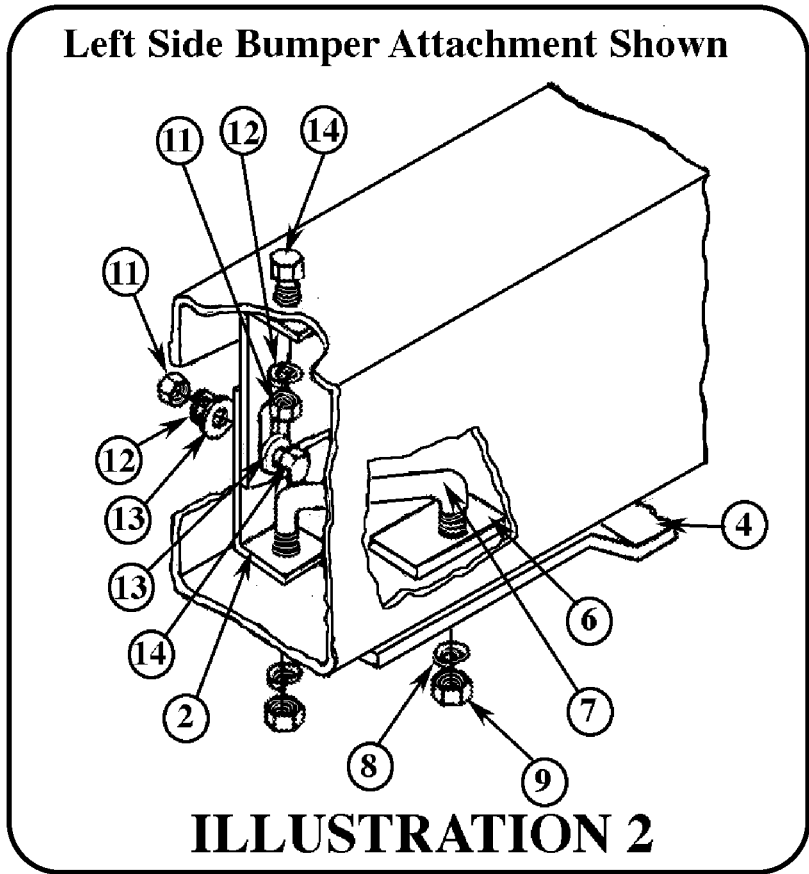
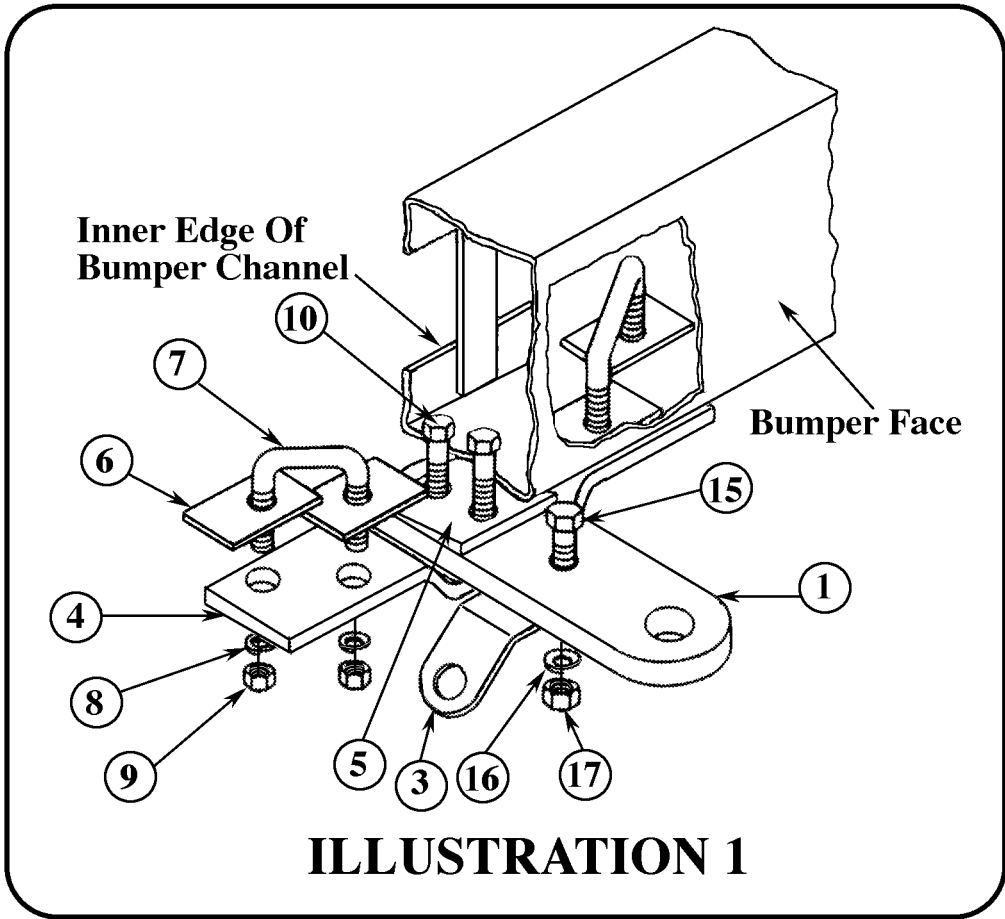
COMPLETE PARTS LIST			
Item	Part #	Description	Quantity
1.	1154-05	Draw Bar	1
2.	2480-04	Bumper Bracket	4
3.	1016-07	Chain Clip	1
4.	3755-06	Yoke	1
5.	3750-03	Wedge Spacer	2
6.	1001-03	7/16 Plate	4
7.	3119-02	7/16-14 U-Bolt	2
8.	1879-03	7/16 Lockwasher	6
9.	1861-03	7/16 Hex Nut	6
10.	1832-03	7/16 x 2 Hex Bolt	2
11.	1860-03	3/8 Hex Nut	4
12.	1825-03	3/8 Lockwasher	4
13.	1848-03	3/8 Flatwasher	4
14.	0797-03	3/8 x 7/8 Hex Bolt	4
15.	1836-03	1/2 x 1-1/2 Hex Bolt	1
16.	1880-03	1/2 Lockwasher	1
17.	1862-03	1/2 Hex Nut	1

CLASS I WEIGHT CARRYING HITCH CAPACITY 1,000 LBS. MAXIMUM TRAILER WEIGHT 100 LBS. MAXIMUM TONGUE WEIGHT
--

TOOLS RECOMMENDED TO INSTALL THIS HITCH Electric Drill 1/2" Drill Bit Pilot Drill (optional) Screw Driver Hammer Center Punch 7/16, 11/16, 3/4 Sockets or end Wrenches Torque Wrench

1. Position yoke #4 against the bottom of the vehicle bumper with the extreme end holes of the yoke towards the inside of the bumper. See Illustration 1.
 - A. On Subaru application, four metric bolts must be removed from the bottom of the bumper before the yoke can be put in position.
 - B. On Dodge Colt and Plymouth Champ with front wheel drive, the license plate and its mounting bracket must be removed from the bumper. The license plate will be remounted after hitch is installed.
 - C. On Toyota Corolla, the two bolts located at the bottom center section of the bumper must be removed before hitch can be positioned.
2. Mark and drill six 1/2" holes in the bottom of the bumper using the holes in yoke #4 as guides. If bumper is fully boxed with no access to inner surface, drill only four 1/2" holes using the outer holes in the yoke as guides.
3. On vehicle with urethane covered bumpers, it will be necessary to cut a section of the covering away so that the hitch can be attached directly to the steel inner bumper surface.
4. Place the draw bar #1 and yoke #4 in place and check angle of the draw bar. the draw bar angle can be adjusted by using the wedge spacers provided. See Illustration "A", "B" and "C" for correct use of the wedge spacers #5.
5. When attaching yoke to bumper, the cars listed below must use the bumper reinforcement brackets #2 for total hitch rating. these brackets are attached inside the open bumper channel at the outer leg of each U-Bolt and to the top lip of bumper through holes drilled for 3/8" bolts. See Illustration 2. Be sure to place spacers #6 at inside leg of each U-Bolt.

1978-80 Fiesta	1977-89 Omni	1977-79 BMW 320i	1974 Opel
1981-87 Escort	1977-89 Horison	1980 BMW 528i	1977-79 Colt
1980-84 Colt/Champ FWD	1974-83 Volvo (all Models)	1978-83 Audi 5000	1981-87 Lynx
1975-81 Fiat 128/131	1979-82 Fiat X19	1979-81 Fiat Strada	1981-83 Audi 4000
6. On all other vehicle not requiring brackets #2, place one spacer #6 at each U-Bolt leg as shown on Illustration 1, when attaching yoke to bumper.
7. Attach draw bar #1 and yoke #4 to bumper as follows:
 - A. If bumper is fully boxed, attach draw bar to bottom of yoke. Attach yoke to bumper with u-bolts at outer four holes.
 - B. The Datsun 510 application has existing bolts in the bottom of the bumper which require the draw bar to be positioned under the yoke.
 - C. If bumper is an open channel, place the draw bar inside the yoke with wedge spacers and bolt all parts to bumper at two center attachment holes. Bolt outer ends of yoke to bumper with U-Bolts as illustrated.
 - D. Attach chain clip #3 to the bottom of the draw bar on all applications.
8. Tighten the 7/16 u-bolts to 35 ft. lbs. torque, 3/8" bolts to 30 ft. lbs. torque and 1/2" bolt to 75 ft. lbs. torque.
9. On Colt and Champ, the license plate must be remounted directly to the bumper face above the hitch draw bar. Drill two holes in bumper using the lower holes in license plate as guides. Bolt securely in place.



Wedge Spacer Plate Placement Options

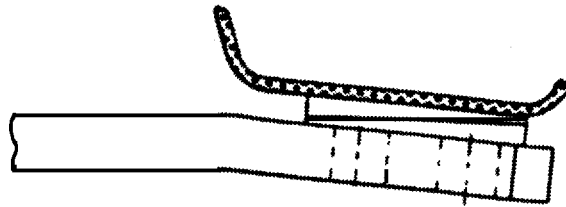


ILLUSTRATION A

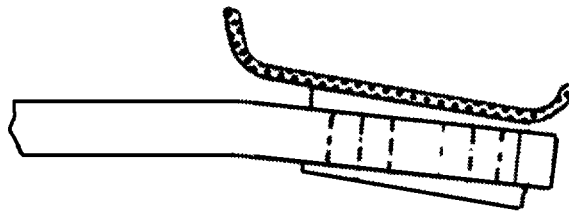


ILLUSTRATION B

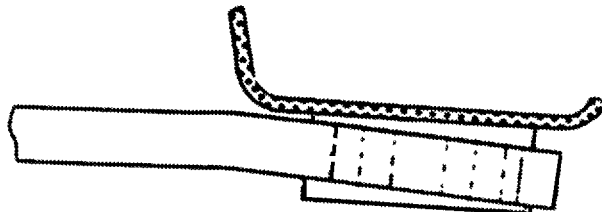


ILLUSTRATION C

For information regarding the installation of this product, go to: www.towingsupport.com
or Email us at: tech@towingsupport.com or Call our Technical Support Team at: 1-800-344-3230

This product complies with regulation V-5, C.S.A Standard D-264 and safety requirements for connecting devices
and towing systems of the State of New York