

# ***INSTALLATION INSTRUCTIONS***

Rev. 3

**MODEL NO. 58610**

Hardware Kit #112745

**APPLICATION:**

**2007-Current Cadillac CTS**

***WARNING***

Although this hitch is designed to safely tow its rated load, we recommend that you consult your vehicle owner's manual for possible manufacturer's recommendations or limitations. Always follow the manufacturer's installation instructions and always install on the specified vehicle. Before installing hitch, check that the attachment points are in good condition.

Failure to follow these guidelines will void warranty. Any modifications to this hitch will void warranty.

***CLASS I***

***HITCH CAPACITY***

**2000 LBS. MAXIMUM TRAILER WEIGHT**

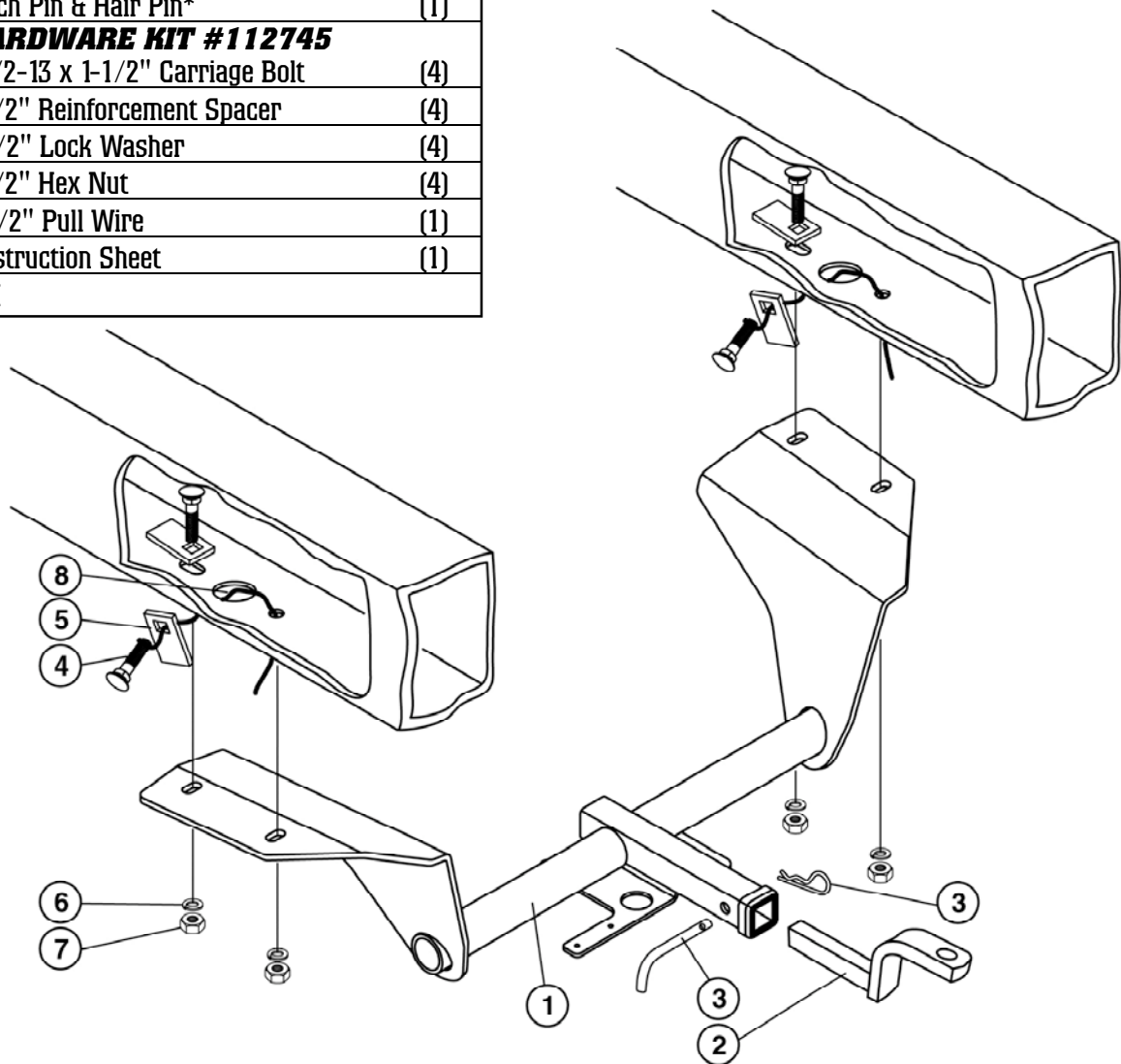
**200 LBS. MAXIMUM TONGUE WEIGHT**

Trailer brakes are recommended for towing loads in excess of 1500 lbs.

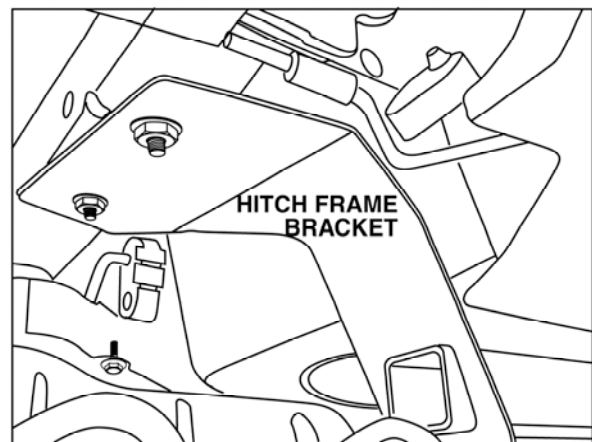
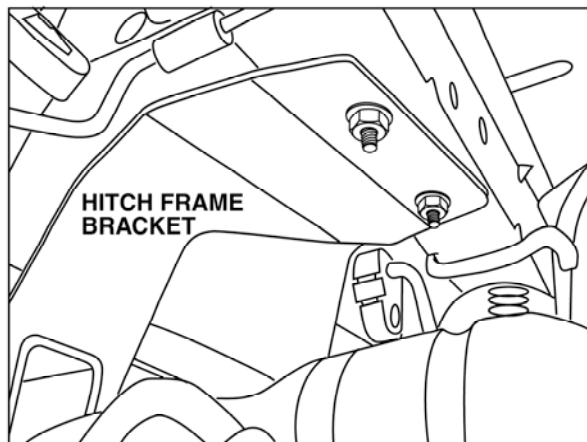
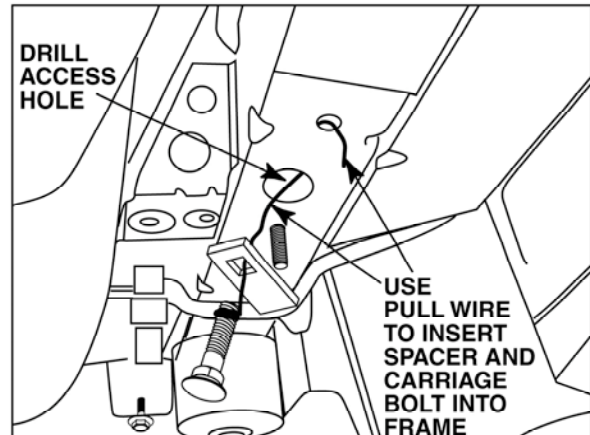
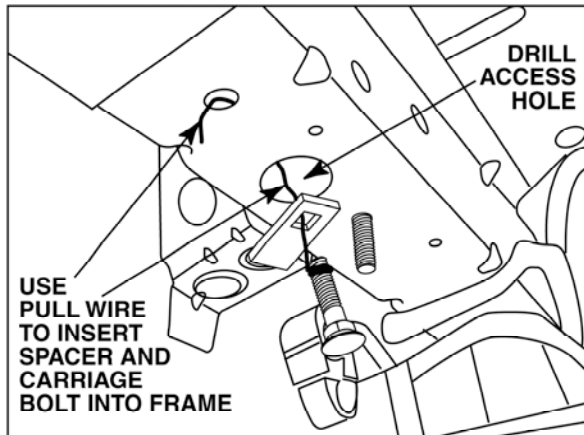
**WARNING:** If this hitch is used with any auxiliary load carrying product, such as bicycle or cargo carriers, the loaded weight must not exceed 200 lbs. including the weight of the carrier. The loaded carrier weight with the extended leverage may damage hitch and/or attachment points on vehicle.

***COMPLETE PARTS LIST***

Part	Description	Quantity
1.	586111 Receiver Assembly	(1)
2.	59420 Ball Mount*	(1)
3.	75810 Hitch Pin & Hair Pin*	(1)
<b><i>HARDWARE KIT #112745</i></b>		
4.	157901 1/2-13 x 1-1/2" Carriage Bolt	(4)
5.	193503 1/2" Reinforcement Spacer	(4)
6.	188003 1/2" Lock Washer	(4)
7.	186203 1/2" Hex Nut	(4)
8.	489207 1/2" Pull Wire	(1)
9.	112746 Instruction Sheet	(1)
* Recommended		



1. Detach one bolt on exhaust brace and rotate clear of exhaust.
2. Detach rubber muffler hangers from muffler hooks. This will allow the mufflers to drop down and allow clearance for the hitch installation. The mufflers will go back up in the original location after hitch is installed.
3. Locate the slot and hole on each frame; these will be used to mount the hitch.
4. Drill 1-1/2" hole midway between the mounting holes on each frame and using the pull wire, draw 1/2-13 x 1-1/2" Carriage Bolts #4 and 1/2" Reinforcement Spacers #5 through access hole and into mounting holes.
5. Being careful not to push the bolts back into the frame, elevate hitch assembly and finger tighten 1/2" Hex Nuts #7 and 1/2" Lock Washers #6 onto each bolt.
6. Center the hitch assembly and tighten the 1/2" Hex Nuts #7 to 75 Ft. Lbs.
7. Re attach rubber muffler hangers onto muffler hooks and re attach exhaust brace.



**WARNING:** Use this hitch only as a weight carrying hitch

**DO NOT** use with any type of weight distributing hitch.

**WARNING:** Be sure to check the hitch pin and hair pin for positive locking placement before towing a trailer.

**NOTE:** Some states require a clear view of license plates. Remove trailer ball and/or ball mount when not in use if it restricts view.

For information regarding the installation of this product, go to: [www.towingsupport.com](http://www.towingsupport.com)  
or Email us at: [tech@towingsupport.com](mailto:tech@towingsupport.com) or Call our Technical Support Team at: 1-800-344-3230

This product complies with regulation V-5, C.S.A Standard D-264 and safety requirements for connecting devices and towing systems of the State of New York